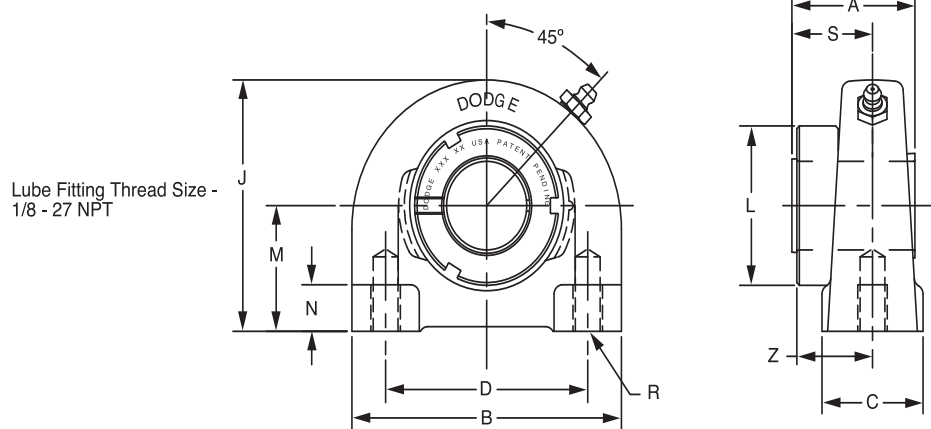
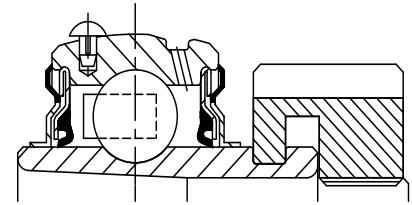




SELECTION/DIMENSIONS

GRIP TIGHT Adapter Ball Bearings GT NORMAL DUTY TAPPED BASE PILLOW BLOCKS



Lube Fitting Thread Size -
1/8 - 27 NPT

Series	Shaft Size	Complete Unit		Unit without Adapter Sleeve & Lock Nut		Adapter Sleeve & Lock Nut Assembly			
		Part No.	Description	Part No.	Description	Part No.	Description		
204	3/4	129276	TB-GT-012	129457	TB-GT-04	136522	AN-GT-04-012-D		
	20mm	136365	TB-GT-20M	136383	TB-GT-04M	136553	AN-GT-04-20M-D		
205	7/8	129148	TB-GT-014	129458	TB-GT-05	136590	AN-GT-05-014-D		
	15/16	129277	TB-GT-015			136523	AN-GT-05-015-D		
	1	129278	TB-GT-100	136524	AN-GT-05-100-D				
	25mm	136366	TB-GT-25M	136384	TB-GT-05M	136554	AN-GT-05-25M-D		
206	1-1/8	129279	TB-GT-102	129459	TB-GT-06	136525	AN-GT-06-102-D		
	1-3/16	129280	TB-GT-103			136526	AN-GT-06-103-D		
	1-1/4	129281	TB-GT-104S			136527	AN-GT-06-104S-D		
	30mm	136367	TB-GT-30M			136555	AN-GT-06-30M-D		
	1-1/4	129282	TB-GT-104			136528	AN-GT-07-104-D		
207	1-3/8	129283	TB-GT-106	129460	TB-GT-07	136591	AN-GT-07-106-D		
	1-7/16	129284	TB-GT-107			136529	AN-GT-07-107-D		
	35mm	136368	TB-GT-35M			136556	AN-GT-07-35M-D		
	1-1/2	129285	TB-GT-108			129461	TB-GT-08	136530	AN-GT-08-108-D
208	1-5/8	@	TB-GT-110	136387	TB-GT-08M	136592	AN-GT-08-110-D		
	40mm	136369	TB-GT-40M			136593	AN-GT-08-40M-D		
	1-5/8	129286	TB-GT-110L			129462	TB-GT-09	136531	AN-GT-09-110L-D
	1-11/16	129287	TB-GT-111					136532	AN-GT-09-111-D
	1-3/4	129288	TB-GT-112					136533	AN-GT-09-112-D
209	45mm	136370	TB-GT-45M	136388	TB-GT-09M	136657	AN-GT-09-45M-D		
	1-15/16	129289	TB-GT-115	129463	TB-GT-10	136534	AN-GT-10-115-D		
	2	129290	TB-GT-200			136535	AN-GT-10-200-D		
50mm	136371	TB-GT-50M	136389			TB-GT-10M	136558	AN-GT-10-50M-D	

@ Assemble to order

FEATURES/BENEFITS PAGE B5-2	HOW TO ORDER/NOMENCLATURE PAGE B5-4	SELECTION PAGE B5-5	RELATED PRODUCTS PAGE B5-70
--------------------------------	--	------------------------	--------------------------------

SELECTION/DIMENSIONS



GRIP TIGHT Adapter Ball Bearings GT NORMAL DUTY TAPPED BASE PILLOW BLOCKS

Bearing Reference Guide

ULTRA KLEEN

E-Z KLEEN

Extreme Duty

Setscrew Ball Bearing

GRIP TIGHT

D-LOK Ball Bearing

Series	Shaft Size	Weight lbs kg	A	B	C	D	J	L	M	N	R* UNC- Thread	S#	Z
204	3/4	1.9	1.48	2.88	1.50	2.00	2.56	1.50	1.31	0.50	3/8-16	1.02	1.03
	20mm	0.9	37.6	73.2	38.1	50.8	65.0	38.1	33.4	12.7	M8x1.25	25.9	26.2
205	7/8	2.1	1.46	3.00	1.50	2.00	2.81	1.80	1.44	0.50	3/8-16	0.98	1.00
	15/16	2.0											
	1	1.9											
206	25mm	1.0	37.1	76.2	38.1	50.8	71.4	45.7	36.5	12.7	M10x1.5	24.9	25.4
	1-1/8	3.6	1.61	4.00	1.50	3.00	3.38	2.08	1.69	0.63	7/16-14	1.09	1.13
	1-3/16	3.5											
	1-1/4	3.5											
207	30mm	1.7	40.9	101.6	38.1	76.2	85.9	52.8	42.9	16.0	M10x1.5	27.7	28.7
	1-1/4	4.7	1.62	4.25	1.88	3.25	3.75	2.38	1.88	0.75	1/2-13	1.08	1.14
	1-3/8	4.7											
	1-7/16	4.6											
208	35mm	2.30	41.1	108.0	47.8	82.6	95.3	60.5	47.6	19.1	M10x1.5	27.4	29.0
	1-1/2	6.20	1.84	4.63	1.88	3.50	3.94	2.62	1.94	0.75	1/2-13	1.23	1.23
	1-5/8	6.1											
209	40mm	3.0	46.7	117.6	47.8	88.9	100.1	66.5	49.2	19.1	M12x1.75	31.2	31.2
	1-5/8	6.7	1.85	5.00	2.00	3.75	4.25	2.86	2.13	0.75	1/2-13	1.23	1.26
	1-11/16	6.7											
	1-3/4	6.6											
210	45mm	3.2	47.0	127.0	50.8	95.3	108.0	72.6	54.0	19.1	M12x1.75	31.2	32.0
	1-15/16	8.6	1.86	5.50	2.00	4.00	4.63	3.13	2.25	0.88	5/8-11	1.23	1.26
	2	8.5											
210	50mm	4.2	47.2	139.7	50.8	101.6	117.6	79.5	57.2	22.4	M16x2	31.2	32.0

#S dimension will vary slightly depending on true shaft diameter

* Mounting surface bolt holes on all GRIP TIGHT Tapped Base Units must have at least 1/16" bolt clearance

FEATURES/BENEFITS PAGE B5-2	HOW TO ORDER/NOMENCLATURE PAGE B5-4	SELECTION PAGE B5-5	RELATED PRODUCTS PAGE B5-70
--------------------------------	--	------------------------	--------------------------------